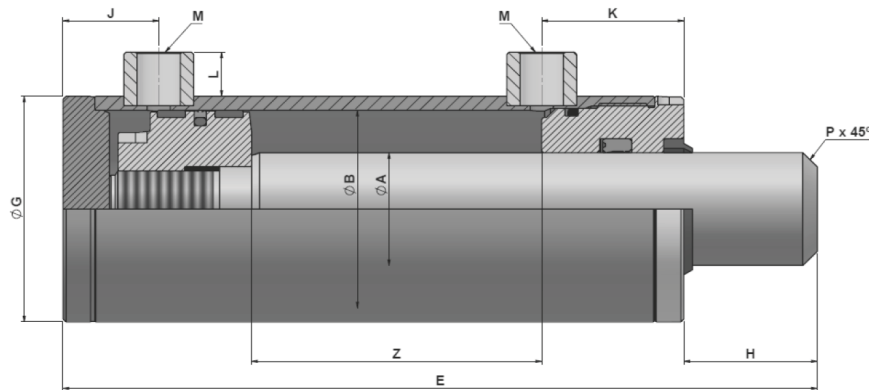


Cilindros Doble Efecto Estándar Sin Amarres
Double Acting Cylinders w/No Ends Standard


| REF. | VASTAGO ROD / TIGE KOLBENST. ØA | PISTON KOLBEN ØB | CARRERA STROKE COURSE HUB Z | E | ØG | H | J | K | L | M | P | VOL (l) | JUNTAS SEALS JOINTS DICHTUNG. | PESO (kg) WEIGHT POIDS GEWICHT |
|------------|--|------------------------|--------------------------------------|------|----|----|----|----|----|------|---|---------|--|---|
| 52032/100 | 20 | 32 | 100 | 230 | 40 | 23 | 25 | 35 | 12 | 1/4" | 3 | 0,08 | J70N | 1,6 |
| 52032/200 | | | 200 | 330 | | | | | | | | 0,16 | | 2,2 |
| 52032/250 | | | 250 | 380 | | | | | | | | 0,20 | | 2,5 |
| 52032/300 | | | 300 | 430 | | | | | | | | 0,24 | | 2,8 |
| 52032/400 | | | 400 | 530 | | | | | | | | 0,32 | | 3,4 |
| 52032/500 | | | 500 | 630 | | | | | | | | 0,40 | | 4,0 |
| 52540/200 | 25 | 40 | 200 | 330 | 50 | 33 | 29 | 40 | 16 | 3/8" | 4 | 0,25 | J71N | 3,4 |
| 52540/250 | | | 250 | 380 | | | | | | | | 0,31 | | 3,8 |
| 52540/300 | | | 300 | 430 | | | | | | | | 0,38 | | 4,3 |
| 52540/400 | | | 400 | 530 | | | | | | | | 0,50 | | 5,2 |
| 52540/500 | | | 500 | 630 | | | | | | | | 0,63 | | 6,2 |
| 52540/600 | | | 600 | 730 | | | | | | | | 0,75 | | 7,1 |
| 52540/700 | | | 700 | 830 | | | | | | | | 0,88 | | 8,1 |
| 52540/1000 | | | 1000 | 1130 | | | | | | | | 1,26 | | 10,9 |
| 53050/150 | 30 | 50 | 150 | 290 | 60 | 36 | 31 | 43 | 16 | 3/8" | 4 | 0,29 | J72N | 4,2 |
| 53050/200 | | | 200 | 340 | | | | | | | | 0,39 | | 4,8 |
| 53050/250 | | | 250 | 390 | | | | | | | | 0,49 | | 5,4 |
| 53050/300 | | | 300 | 440 | | | | | | | | 0,59 | | 6,0 |
| 53050/350 | | | 350 | 490 | | | | | | | | 0,69 | | 6,6 |
| 53050/400 | | | 400 | 540 | | | | | | | | 0,79 | | 7,3 |
| 53050/500 | | | 500 | 640 | | | | | | | | 0,98 | | 8,5 |
| 53050/600 | | | 600 | 740 | | | | | | | | 1,18 | | 9,7 |
| 53050/700 | | | 700 | 840 | | | | | | | | 1,37 | | 10,9 |
| 53050/900 | | | 900 | 1040 | | | | | | | | 1,77 | | 13,4 |
| 53050/1000 | | | 1000 | 1140 | | | | | | | | 1,96 | | 14,6 |
| 53060/200 | 30 | 60 | 200 | 360 | 70 | 54 | 31 | 45 | 16 | 3/8" | 4 | 0,57 | J73N | 5,9 |
| 53060/300 | | | 300 | 460 | | | | | | | | 0,85 | | 7,3 |
| 53060/400 | | | 400 | 560 | | | | | | | | 1,13 | | 8,6 |
| 53060/500 | | | 500 | 660 | | | | | | | | 1,41 | | 10,0 |
| 53060/600 | | | 600 | 760 | | | | | | | | 1,70 | | 11,3 |
| 53060/700 | | | 700 | 860 | | | | | | | | 1,98 | | 12,7 |

| REF. | VASTAGO ROD / TIGE KOLBENST. ØA | PISTON KOLBEN ØB | CARRERA STROKE COURSE HUB Z | E | ØG | H | J | K | L | M | P | VOL (l) | JUNTAS SEALS JOINTS DICHTUNG. | PESO (kg) WEIGHT POIDS GEWICHT |
|------------|--|------------------------|--------------------------------------|------------|-----|----|----|----|----|------|---|---------|--|---|
| 53560/150 | 35 | 60 | 150 | 310 | 70 | 54 | 31 | 45 | 16 | 3/8" | 4 | 0,42 | J3560N | 5,6 |
| 53560/200 | | | 200 | 360 | | | | | | | | 0,57 | | 6,4 |
| 53560/250 | | | 250 | 410 | | | | | | | | 0,71 | | 7,2 |
| 53560/350 | | | 350 | 510 | | | | | | | | 0,99 | | 8,7 |
| 53560/400 | | | 400 | 560 | | | | | | | | 1,13 | | 9,5 |
| 53560/500 | | | 500 | 660 | | | | | | | | 1,41 | | 11,1 |
| 54070/150 | 40 | 70 | 150 | 310 | 80 | 46 | 33 | 49 | 16 | 3/8" | 5 | 0,58 | J74N | 7,4 |
| 54070/200 | | | 200 | 360 | | | | | | | | 0,77 | | 8,4 |
| 54070/250 | | | 250 | 410 | | | | | | | | 0,96 | | 9,3 |
| 54070/300 | | | 300 | 460 | | | | | | | | 1,15 | | 10,3 |
| 54070/400 | | | 400 | 560 | | | | | | | | 1,54 | | 12,2 |
| 54070/500 | | | 500 | 660 | | | | | | | | 1,92 | | 14,1 |
| 54070/600 | | | 600 | 760 | | | | | | | | 2,31 | | 16,0 |
| 54070/700 | | | 700 | 860 | | | | | | | | 2,69 | | 17,9 |
| 54080/200 | 40 | 80 | 200 | 375 | 90 | 49 | 33 | 54 | 16 | 3/8" | 5 | 1,01 | J75N | 10,3 |
| 54080/300 | | | 300 | 475 | | | | | | | | 1,51 | | 12,3 |
| 54080/400 | | | 400 | 575 | | | | | | | | 2,01 | | 14,3 |
| 54080/500 | | | 500 | 675 | | | | | | | | 2,51 | | 16,4 |
| 54080/600 | | | 600 | 775 | | | | | | | | 3,02 | | 18,4 |
| 54080/700 | | | 700 | 875 | | | | | | | | 3,52 | | 20,4 |
| 55080/500 | 50 | 80 | 500 | 675 | 90 | 49 | 33 | 54 | 16 | 3/8" | 5 | 2,51 | J5080N | 19,4 |
| 55080/600 | | | 600 | 775 | | | | | | | | 3,02 | | 31,9 |
| 55090/200 | 50 | 90 | 200 | 390 | 105 | 52 | 35 | 60 | 16 | 3/8" | 6 | 1,27 | J5090N | 16,1 |
| 55090/300 | | | 300 | 490 | | | | | | | | 1,90 | | 19,4 |
| 55090/400 | | | 400 | 590 | | | | | | | | 2,55 | | 22,8 |
| 55090/500 | | | 500 | 690 | | | | | | | | 3,18 | | 26,1 |
| 55090/600 | | | 600 | 790 | | | | | | | | 3,82 | | 29,4 |
| 55090/700 | | | 700 | 890 | | | | | | | | 4,45 | | 32,8 |
| 550100/300 | 50 | 100 | 300 | 490 | 115 | 52 | 35 | 60 | 16 | 3/8" | 6 | 2,36 | J76N | 21,7 |
| 550100/400 | | | 400 | 590 | | | | | | | | 3,14 | | 25,2 |
| 550100/500 | | | 500 | 690 | | | | | | | | 3,93 | | 28,7 |
| 550100/600 | | | 600 | 790 | | | | | | | | 4,71 | | 32,2 |
| 550100/700 | | | 700 | 890 | | | | | | | | 5,50 | | 35,7 |
| 570120/400 | 70 | 120 | 400 | 650 | 140 | 80 | 40 | 82 | 17 | 1/2" | 6 | 4,52 | J77N | 45,8 |
| 570120/500 | | | 500 | 750 | | | | | | | | 5,65 | | 52,0 |
| 570120/600 | | | 600 | 850 | | | | | | | | 6,78 | | 58,2 |
| 570120/700 | | | 700 | 950 | | | | | | | | 7,91 | | 64,4 |

*Acabado: sin pintar / Finishing: raw / Finition : sans peinture / Fertigung: Ohne Lackierung

*Todas las medidas en milímetros / All measures in millimetres / Toutes les dimensions en millimetres / Alle Angaben sind in millimeter

*Actualizado /Updated /Actualisé / Aktualisiert: **08/05/2020**

